

Surgitron® I 1450-85

**HEAVY DUTY SERVICE ENTRANCE APPLICATIONS
MODULAR DESIGN**



FEATURES AND BENEFITS

- Listed by ETL to UL 1449 3rd Edition for a Type 1 SPD application.
- Matrix of individually fused Metal Oxide Varistors (MOVs) housed in replaceable modules.
- Cover lights indicate status of modules.

AVAILABLE CONFIGURATIONS

| Model Number | kA Per Phase | Voltage | Configuration |
|--------------|--------------|----------|-------------------------------------|
| 1450-85 | 120kA | 220-240V | 3-Phase, 3-Wire Ungrounded Delta |

Warranty

5-years

Available Options

| | |
|-----------------------------------|----------------|
| Surge Counter | Add suffix -S |
| Stainless Steel NEMA 4X enclosure | Add suffix -4X |
| Dry Relay Contacts come standard | |

PRODUCT SPECIFICATIONS

Electrical

| | |
|--|--|
| Nominal Discharge Current Rating (I-n) | 20kA |
| Operating Frequency | 50-60Hz |
| Connection Methods | Parallel to load (shunt) Lugs #14-#2 Directly connect or through 60A (min) breaker |
| Modes of Protection | L-G, L-L |
| Fault Rating (SCCR) | 100kAIC |
| Response Time | Less than 1 nanosecond (one per phase) |
| Standard Monitoring | LED status indicator lights (one per phase) |

Mechanical

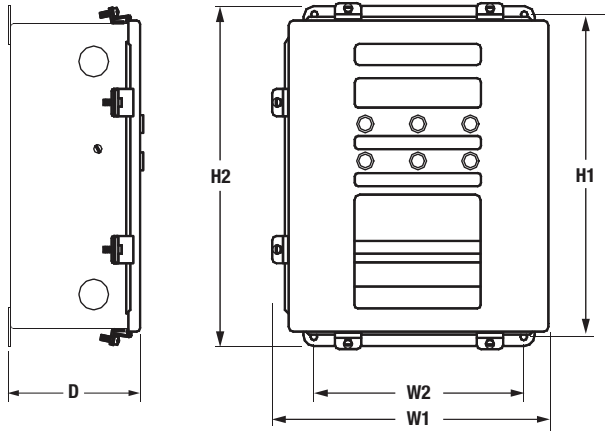
| | |
|-----------------------|---|
| Weight | 33.7 lbs. (15 kg) |
| Enclosure Type | NEMA 4, 4X |
| Installation Location | Indoor/Outdoor |
| Mounting Method | Dual mounting flanges |
| Operating Environment | -40° to +185°F (-40° to +85°C) |
| Altitude | Up to 16,400 ft. (5000 m) |
| Product Design | Individually fused MOVs Overcurrent fusing |

Regulatory

| | |
|---------------------------|--------|
| UL 1449 3rd Edition Type | Type 1 |
| UL 1283 | No |
| IEEE C62.41.1, .2, C62.45 | Yes |
| Listed By | ETL |

SURGITRON I PERFORMANCE DATA

| Model Number | kA Per Phase | Voltage Configuration | Protection Modes | MCOV | UL 1449 3rd Edition 6kV 3000A VPR |
|--------------|--------------|-----------------------|------------------|------------|--------------------------------------|
| 1450-85 | 120kA | 220-240V | L-G L-L | 320 300 | 1000V 1000V |



DIMENSIONAL SPECIFICATIONS

| Dim | Inches (mm) |
|-----|---------------|
| H1 | 14.75 (374.7) |
| H2 | 15.5 (393.7) |
| W1 | 12.9 (327.7) |
| W2 | 10 (254) |
| D | 6.2 (157.5) |

Thomas & Betts Corporation